

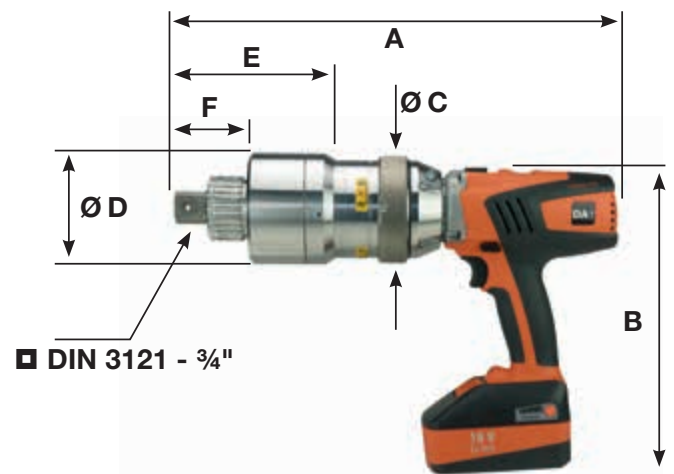
Battery gate valve wrench DA1-05 S



Plarad battery gate valve wrench **DA1-05 S**



The Plarad DA1-05 S battery gate valve wrench is used for opening and closing of any valves as butterfly valves, ball valves or gate valves. The Plarad DA1-05 S can be optimised for specific applications by adapting additional accessories.



Type	Torque range (Nm)	G1 (rpm)	G2 (rpm)	G3 (rpm)	G4 (rpm)	A (mm)	B (mm)	Ø C (mm)	Ø D (mm)	E (mm)	F (mm)	Weight (kg)
DA1-05 S	70 – 550	13,9	27,4	61	118	347	245	90	74	126,5	57,5	5,1

Other performance categories on request

Standard accessories

Rotation counter

The included rotation counter with digital display allows comfortable and reliable display of the rotations completed during opening and closing directly at the gate valve wrench.

An adapter from 3/4" to 1" has been included for the magnetic pulse counter.



Reaction arm/counter support

The reaction arm has been designed with a stop buffer to keep the pressure-sensitive surfaces protected.



Charger and additional battery

The DA1-05 S comes with two 5.0 Ah lithium-ion batteries and a quick charger.



Sturdy case for transportation

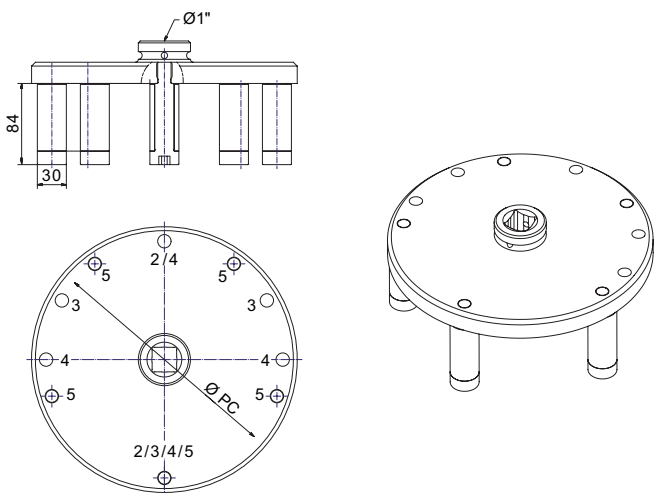
The drive unit is supplied in a sturdy transportation case that includes all standard accessories such as the rotation counter, the reaction arm, the two 5.0 Ah lithium-ion batteries, a quick charger and a pair of circlip pliers.



Optional accessories



DA1-05 S with hand wheel clamp



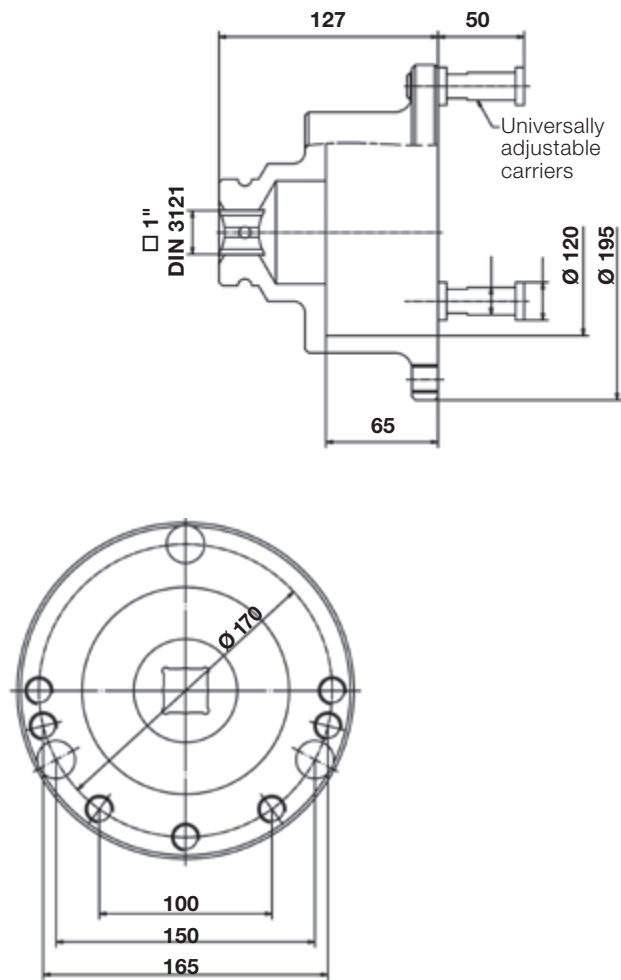
Hand wheel claw (standard) A1

Hand wheel claw for direct mounting the gate valve wrench on the hand wheels. The number of carriers (2-5) can be selected freely. To keep the hand wheel from sustaining damage to its paint, the carriers have been finished with a layer of protective coating.

Type	Gear □	Ø Pitch circle for carriers (PC)	Torque max. (Nm)
Hand wheel claw 165	1"	165 mm	550
Hand wheel claw 245	1"	245 mm	550

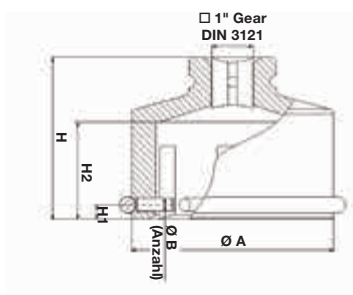
Gate valve socket for hand wheels (special design)

The gate valve socket is universally applicable for various hand wheels.



Mounting for above-ground hydrants

Inlay with hexagon socket AF70 mm or special socket for ring holes.



Type	Ø A (mm)	Ø B (mm)	Quantity	H (mm)	H1 (mm)	H2 (mm)	Gear □
Ring hole socket	125	8	6	100	9	60	1"

Special designs upon request

Optional accessories

DA1-05 S with telescopic adapter



Adapter, telescopic

Made of stainless steel and extendable to a maximum length of 1 500 mm, the adapter (1" gear and output drive) allows for working in upright position.

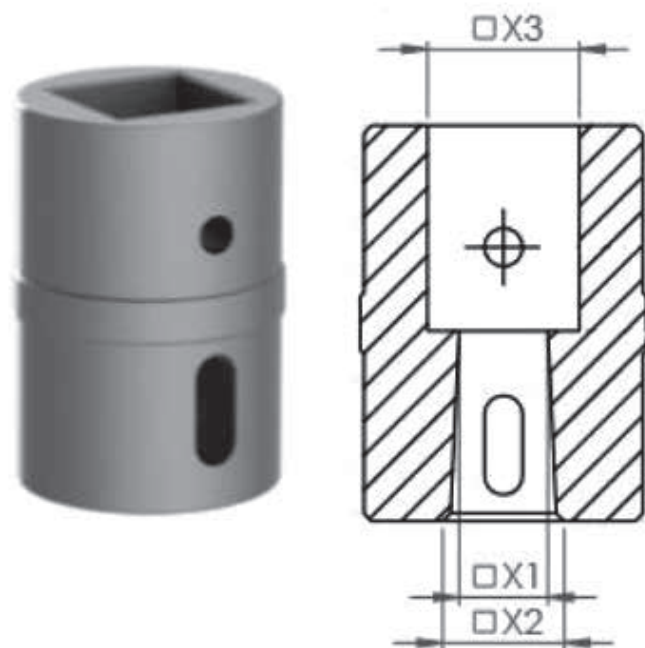
Type	Length (mm)	Gear □	Output drive □ coupling sleeve (mm)
Extension with coupling sleeves	850 – 1500	1"	25

Max. permissible torque 550 Nm

Coupling sleeve according to DVGW work-sheet GW336 (conical) in various sizes

The optimum fit of the coupling sleeve effectively avoids ratcheting and premature wear.

Type	X1 □ (mm)	X2 □ (mm)	X3 □ (mm)
Coupling sleeve - house connecting valve	12	14	25
Coupling sleeve 27/32 DN 40/50	14	17	25
Coupling sleeve 27/32 DN 65/80	17	19	25
Coupling sleeve 27/32 DN 100/150	19	22	25
Coupling sleeve 27/32 DN 175/200	24	27	25
Coupling sleeve 27/32 DN 250/350	27	32	25



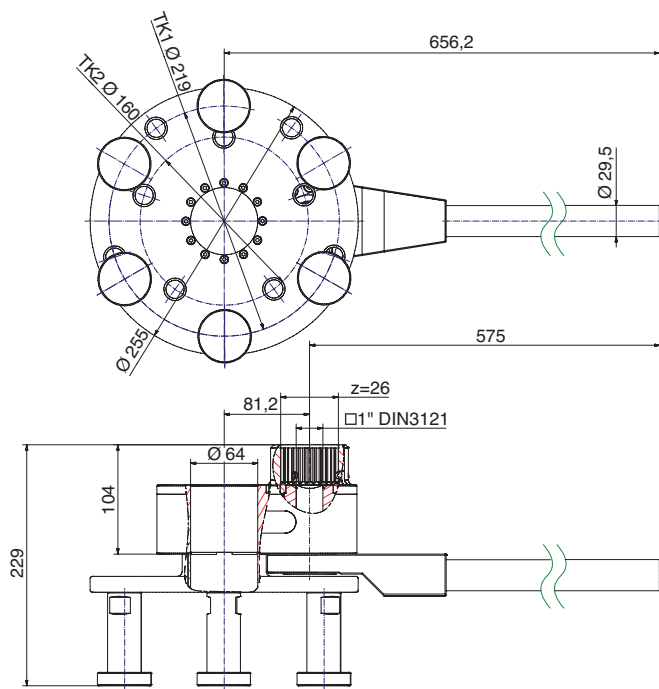
Offset gear STX 22-02 TL-S gate valve

For gate valves with an external spindle, it is possible to individually adapt the carriers to various diameters and models. All it takes is to screw the carriers into the designated threads.

The maximum permissible input torque is 1 000 Nm. The output torque is amplified by a factor of 1.5.

Type	Gear □	Internal toothing (z)
Offset gear STX 22-02 TL-S gate valve	1"	26

Special designs upon request



Inverter

The battery pack can easily be charged even on the go, e.g. in the car or at any 12V battery.

Type	Input	Output	Capacity max.
Inverter	12V DC	230V AC	300 Watts

